

PFB604W

14" Housing Wall Mount Bracket



Features

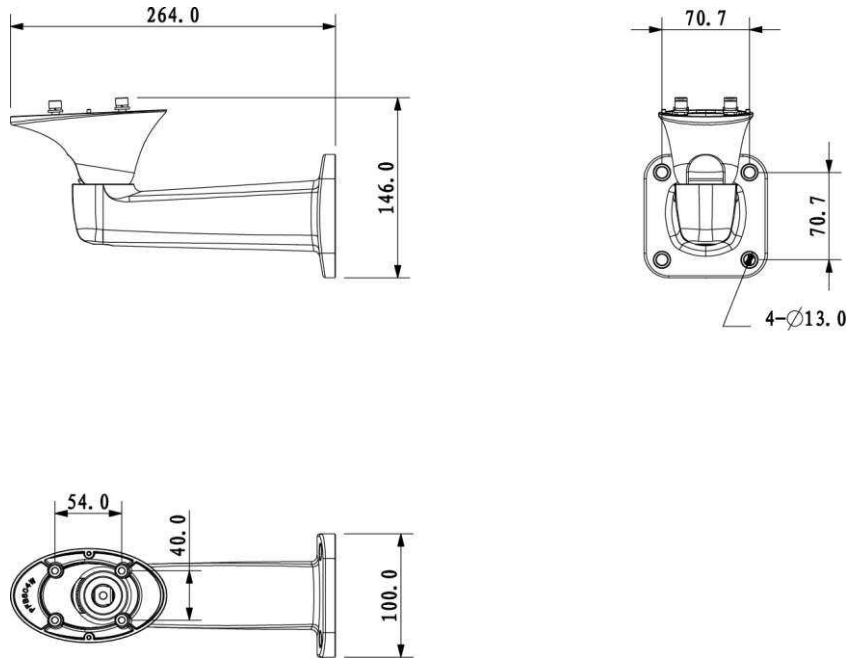
- Material: Aluminum
- Wall Mount Bracket
- Hidden Line Design
- Neat & Integrated Design

Specifications

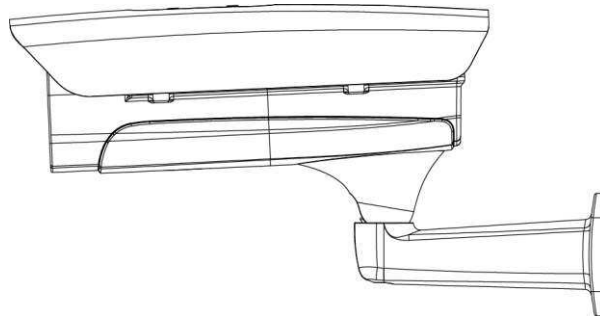
| Model | PFB604W |
|-----------------------|----------------------------------|
| General | |
| Material | Aluminum |
| Dimension (W x H x D) | 100mm x 146mm x 264mm |
| Pipe Thread | N/A |
| Operating Temperature | -40°C~65°C |
| Humidity | 0~90% RH |
| Load Bearing | 4.0Kg |
| Weight | 0.56Kg |
| Color | White |
| Applicable Model | Please see "Accessory Selection" |

PFB604W

Dimensions (mm)



Application



Dahua Technology Co., Ltd.

1199BinAn Road, Binjiang District, Hangzhou, China

Tel: +86-571-87688883

Fax: +86-571-87688815

Email: overseas@dahuatech.com

www.dahuasecurity.com

*Design and specifications are subject to change without notice.

© 2013Dahua Technology Co., Ltd.